

## GEFWB30 and GEFJB30 Explosion-Proof Floodlights for Hazardous Locations

**Do not attempt installation until you are familiar with all precautions and procedures outlined within this instruction sheet.**

### Warning:

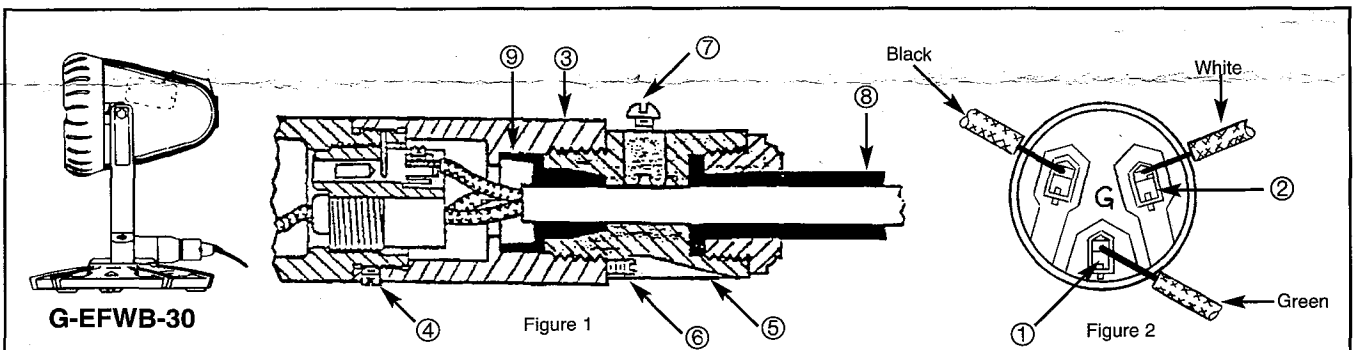
The fixture must be grounded as required by the National Electric Code (Paragraph 410-21 and Article 250) or Canada Electric Code (Rule 30-500 and Section 10). Failure to properly ground the fixture will create an electric shock hazard which can cause serious injury or death.

### Caution:

Verify that ground continuity has been established by using an ohmmeter or other suitable testing equipment before energizing the fixture. Failure to properly ground the fixture will create an electrical shock hazard which can cause serious injury or death.

### Installation Precautions:

All National and local codes **MUST** be followed in the installation of the fixture. For code interpretation, consult local authority. Consult fixture nameplate for suitability in specific locations and for minimum required supply wire rating. Verify that there is ground continuity in the electrical system



### Installation Instructions:

1. Loosen set screw ④, but **DO NOT REMOVE** - then remove adaptor ③.
2. Loosen set screw ⑥, but **DO NOT REMOVE** - then remove cable strain relief ⑤.
3. Loosen the 2 clamping bar screws ⑦ on the strain relief.
4. Strip outer jacket of cable (1-1/4") and strip each conductor covering (3/8"). Slip this end of cable through both rubber bushings ⑧ and ⑨. Insert cable conductors into the brass connectors ② and secure with set screw ① as shown in Figure 2.
5. Screw on adaptor ③ securely, and lock with set screw ④.
6. Screw strain relief ⑤ on securely, and lock with set screw ⑥.
7. Tighten cable clamp bar screws ⑦ to lock cable in place.

**CAUTION:** This unit must be properly assembled to an attachment plug cap of three wire grounding type suitable for use in the same hazardous location - Class and Group as listed on the lighting unit nameplate.

### **Maintenance Checklist:**

1. Inspect floodlight housing and lens for any cracks or breaks. Unit or lens must be replaced if any cracks or breaks are found.
2. Check that the cord and plug has no visible damage to insulation or wires. Cord and plug must be replaced if damaged.
3. Check the cord terminations to ensure wires are securely connected to terminals.
4. Use an ohmmeter to check connection of ground terminal on plug to floodlight housing.
5. Remove lens cover, remove lamp and check lamp socket for any breaks and wiring for any deterioration due to temperature. Replace lamp socket if cracked or broken. If wiring has deterioration, the unit must be replaced.
6. With the lamp still removed, perform a hi-pot test between the hot and neutral conductors on the cord and the floodlight enclosure. At a test voltage of 500 Volts AC, the unit passes if the measured leakage current is less than 5 milliamperes.
7. Replace the lamp & the lamp cover and ensure that the cord connector housing is re-assembled and tightened properly per the instruction sheet.
8. Plug in the floodlight to the proper power supply and ensure the lamp lights properly. If good, put the floodlight back into service.

## Appleton Explosion Proof Floodlight

**THE FOLLOWING LISTED LAMPS MAY BE USED IN THIS FIXTURE WITH THE NOTED SOCKET MOUNTINGS.**


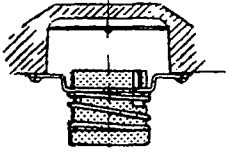

**G-EFWB-30**  
**G-EFJB-30**  
**G-EFCB-30**

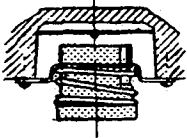
Fig. 1



For these lamps the socket bridge offset should be positioned outward. (See Fig. 1)

<b>75PAR/FL</b>	75 Watts	<b>PAR-38</b>	Medium Base
<b>150PAR/FL</b>	150 Watts	<b>PAR-38</b>	Medium Base

Fig. 2



For these lamps the socket bridge offset should be positioned inward. (See Fig. 2)

<b>150R/FL</b>	150 Watts	<b>R-40</b>	Medium Base
<b>300R/FL</b>	300 Watts	<b>R-40</b>	Medium Base
<b>300R/FL/1</b>	300 Watts	<b>R-40</b>	Medium Base

Fig. 3



For this lamp the medium base socket and bridge assembly and the insulator disk should be removed and a mogul socket should be screwed to the rear wall bosses using the tapped holes provided for this purpose. (See Fig. 3)

<b>300R/3FL</b>	300 Watts	<b>R-40</b>	Mogul Base
-----------------	-----------	-------------	------------